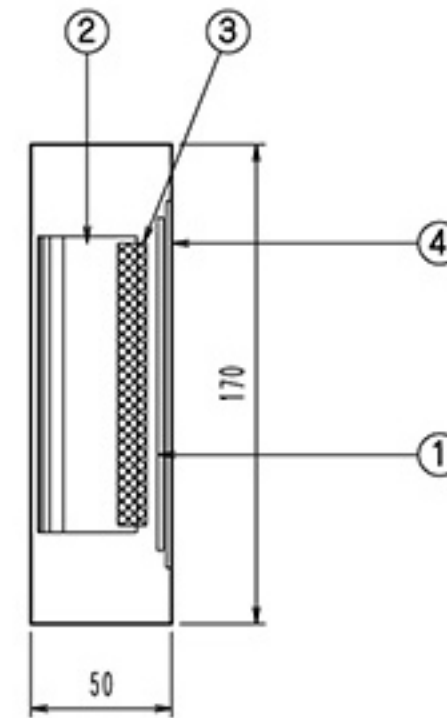
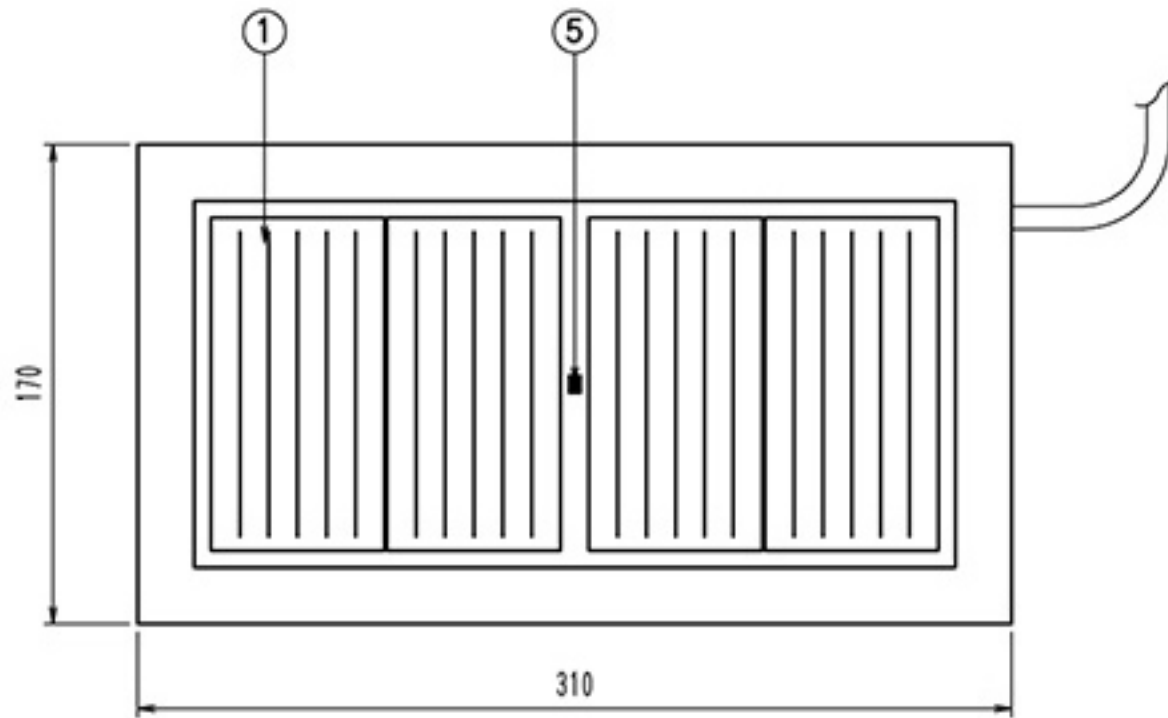


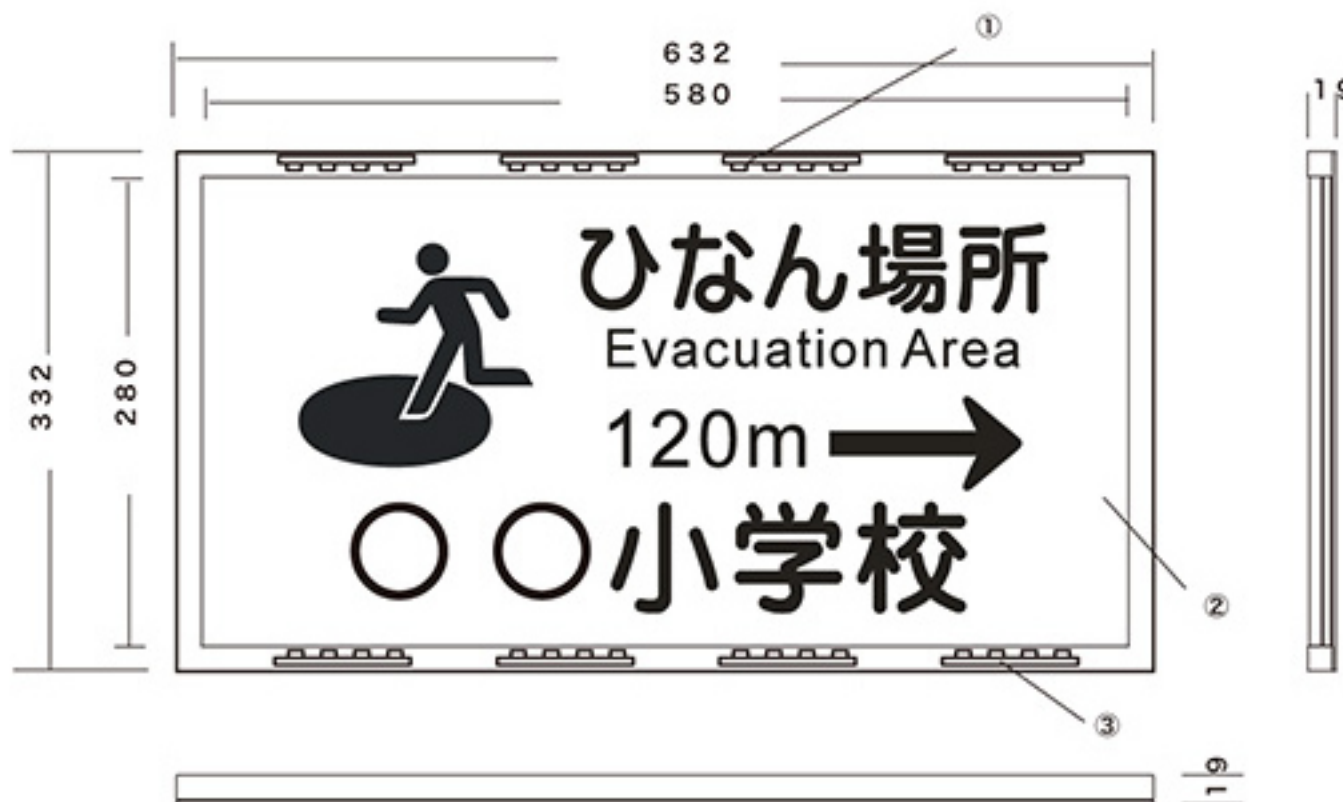
Part name	Material	Quantity
① Amorphous silicon solar cell	3.0V/113mA	4
② Electric double layer capacitor	2.5V/600F	4
③ Control board		1
④ Surface cover	Tempered glass 4t	1
⑤ Light / dark sensor	Phototransistor	1



Name	Solar capacitor power supply				
Product number	SUN-SLP6004P	Figure number	06-11-08	Created date	November 8, 2006
Scale	S = 1 / 3			Sunlight Co., Ltd.	

LED display panel

① Body	aluminum frame
② Light emitting part	Acrylic light guide plate (laser engraving) Surface: Tempered glass 4t
③ light source	Surface mount high brightness LED x 32 (manufactured by Nichia)
④ Back plate	Aluminum composite plate 3t / Aluminum plate 1t



Name	LED display panel	Figure number	071127-1	Created date	November 27, 2007
Product number	SUN-SLP6004P	Author	Inoue	Company name	Sunlight Co., Ltd.